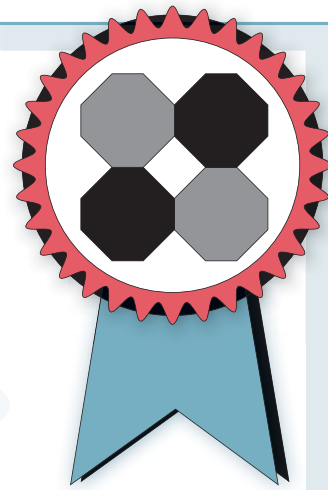


### VERY FAT FUDGE CAKE

- 1 pkg fudge cake mix
- 4 eggs
- ½ cup oil
- ½ cup water
- 1 large instant vanilla pudding
- 1 cup sour cream
- 1 cup milk chocolate chips
- 1 can of chocolate frosting

Mix first 6 ingredients together for 5 minutes.  
 Add 1 cup milk chocolate chips.  
 Grease a bunt pan. Bake at 350 for 55 min. Cool 15 min.  
 Take out of pan. Cool 30 min.

Spoon ½ can of chocolate frosting into a zip lock bag.  
 Microwave for 15 seconds. Cut corner off bag and squeeze over-  
 top of cake. Add nuts or chocolate chips on top if desired.



cottonway.blogspot.com

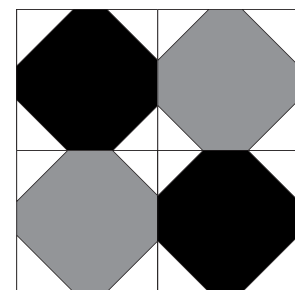
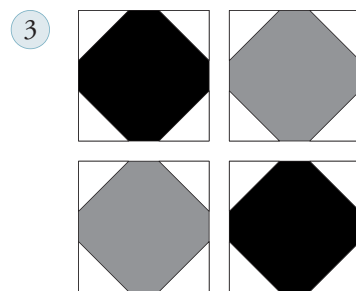
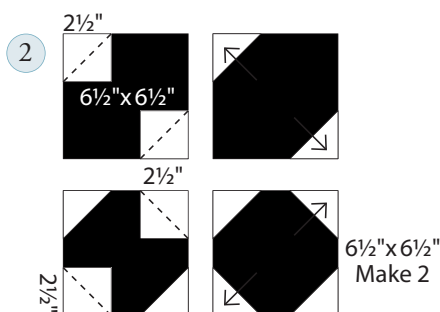
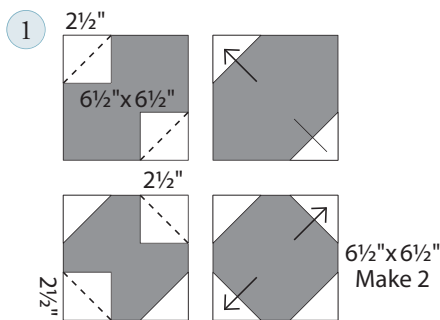
### RASPBERRY JELLY from Cotton Way

□ Print 1 (9" x 22"):  
 3-2½" x 22"  
 subcut 16-2½" x 2½"

■ Print 2 (9" x 22"):  
 2-6½" x 6½"

■ Print 3 (9" x 22"):  
 2-6½" x 6½"

www.modafabrics.com



12½" x 12½" with seams